

01 SPOT LIGHT

SPECIFICATIONS

Power consumption	39.0W
Weight	1.5Kg
Body Materials	Die-cast aluminum Aluminum extrusion Powder coating painted
Lens Materials	Polycarbonate

CRI	Ra \geq 80
	Ra \geq 90
	Ra \geq 97

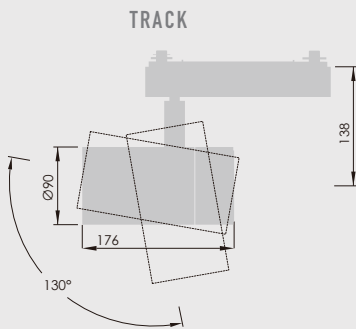
Kelvin	3000 ■
	3500 ■
	4000 ■



Black

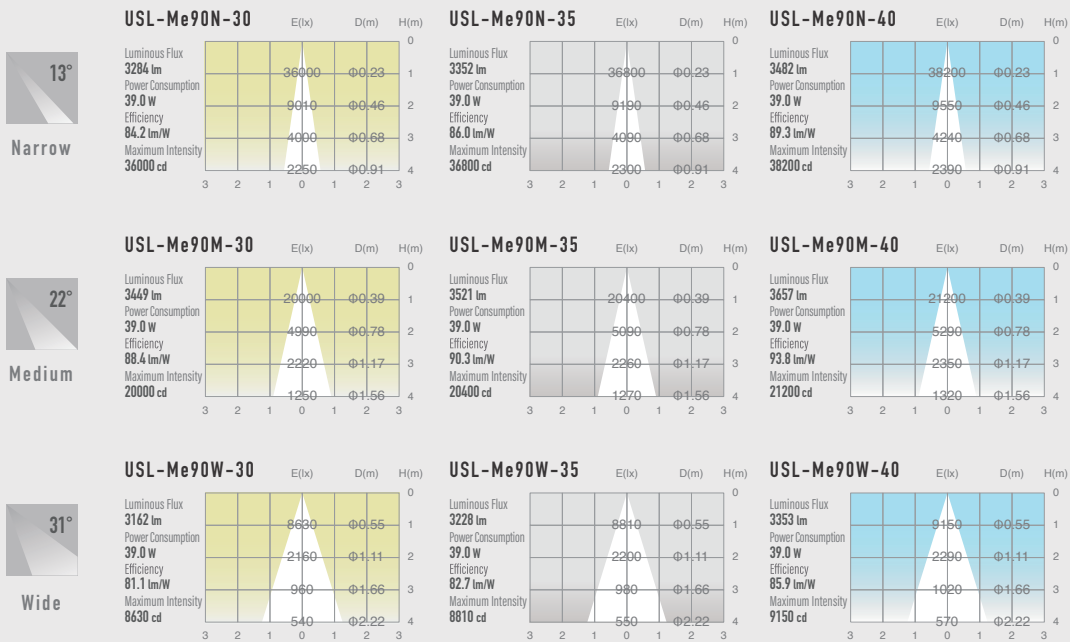
VOLTAGE 100-240	LED SYS COB	POWER UNIT INSIDE	TIA 130	Ra/A 380	CONNECT TRACK
CRI Ra \geq 80	CRI Ra \geq 90	CRI Ra \geq 97	PROTECTION MODE IP20	LIFE TIME 40000h	

DRAWING



01 SPOT LIGHT

OPTICAL DATA $Ra \geq 90$



POWER SUPPLY / DIMMER SWITCH

OPTIONAL ACCESSORIES



Edge smoothing Lens
ES-80



Diffusion Lens
DL-80/1.5



Diffusion Lens
DL-80/3.0



Diffusion Lens
DL-80/4.5



Spread Lens
SL-80



Honeycomb Louver
HL-80