

01 SPOT LIGHT

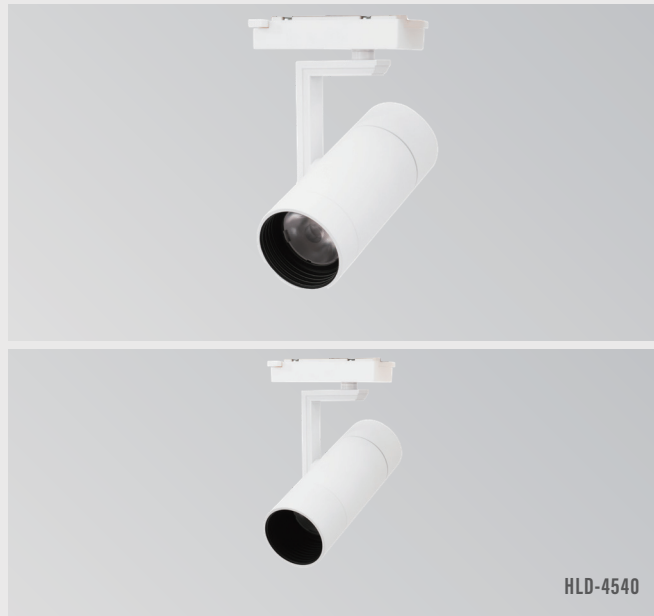
SPECIFICATIONS

Power consumption	8.7W
Weight	0.34Kg
Body Materials	Die-cast aluminum Aluminum extrusion Powder coating painted
Lens Materials	Polycarbonate

CRI	Ra ≥ 80
	Ra ≥ 90
	Ra ≥ 97

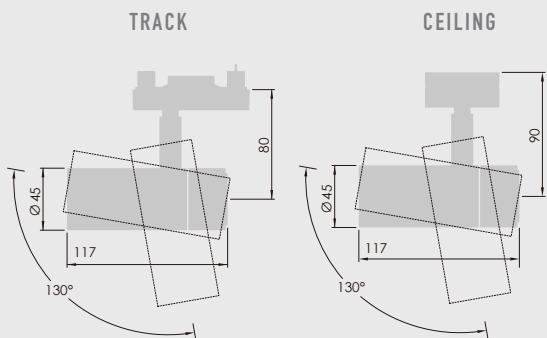
Kelvin	2700 ■
	3000 ■
	3500 ■
	4000 ■

VOLTAGE 200-220	LED SYS COB	DIMMER TRIAC	POWER UNIT INSIDE	TIA 130	Ra/A 380
CONNECT TRACK	CONNECT CEILING	CRI Ra ≥ 80	CRI Ra ≥ 90	CRI Ra ≥ 97	PROTECTION MODE IP20
LIFETIME 40000h					



Black

DRAWING



ADAPTOR



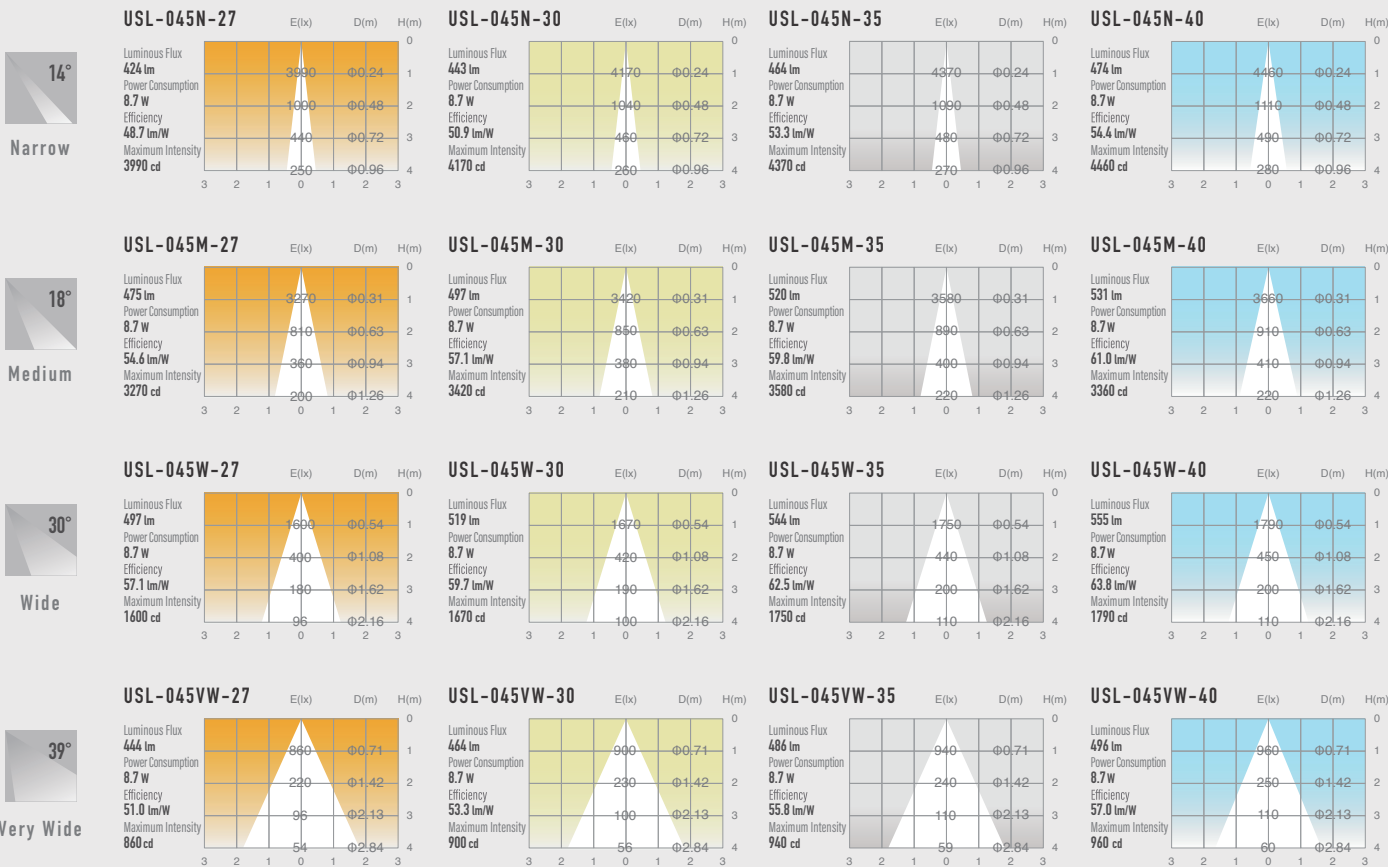
3 Circuits Track

Single Track

CEILING

01 SPOT LIGHT

OPTICAL DATA Ra ≥ 90



POWER SUPPLY / DIMMER SWITCH



Recommended Dimmer Switch
WTFD-57026K

OPTIONAL ACCESSORIES



Standard Equipment
Hood for glare cut 20d
HLD-4520



Hood for glare cut 40d
HLD-4540



Edge smoothing Lens
ES-40



Diffusion Lens
DL-40/1.5



Diffusion Lens
DL-40/3.0



Diffusion Lens
DL-40/4.5



Spread Lens
SL-40



Honeycomb Louver
HL-40